

## SMR-8 Laser Process Unit



### Specifications:

- ❖ Fiber Cable lengths from 10 to 30 m (additional lengths available upon request)
- ❖ Adjustable Scan Rate up to 30 m/s
- ❖ Power Range: 1-10 kW
- ❖ Wavelength Range: 250-1550 nm
- ❖ Focus Range: 250-1000 mm
- ❖ Adjustable Scan Width: 25-200 mm
- ❖ Lightweight Design: 15-17 lb without the cabling

Laser coating removal competes with chemical, abrasive, and water blasting methods. These methods generate hazardous waste, require personal protective apparatus, and are not compatible with composites, fiberglass, alloys, and other materials used in manufacturing of high dollar assets today.

SurClean focuses on the workhorse of any laser system – the beam delivery. We marry our laser beam delivery system with off the shelf laser sources, chillers, exhaust/fume extraction and address the customer's specific application utilizing the correct laser power source from \*OEM's Coherent, Laserline, TRUMPF, Rofin, Teradiode, and others. Our customers receive the latest technology and power levels, as the laser industry continues to push forward with new developments and our engineers continue revolutionizing the SurClean laser ablation solution.

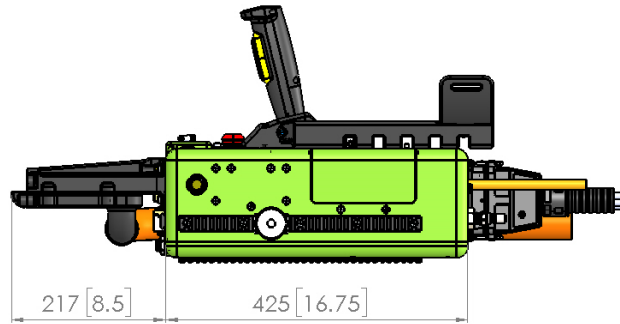
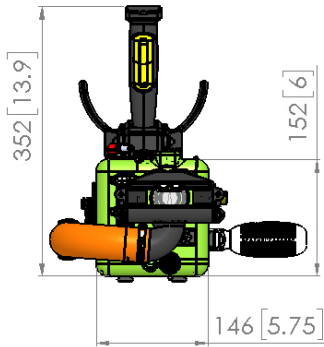
### Applications:

- ❖ Paint Removal & De-Coating
- ❖ Surface Preparation for Adhesive Bond and Coating
- ❖ Mold Cleaning
- ❖ De-Oiling
- ❖ Surface Structuring
- ❖ Restoration of Stone, Brick, Concrete
- ❖ Ideal for Sensitive Substrate Cleaning i.e. CFRP
- ❖ Corrosion Cleaning

### Features:

- ❖ Compatibility with a variety of high-power lasers from multiple OEM Laser Companies\*
- ❖ Operator Safety
  - Deadman Switch
  - Automatic Laser shut-down when not on target (available upon request)
- ❖ Ergonomic Design
  - Adjustable for left or right handed operator
  - Quick disconnect for cables and hoses
  - Converts easily to a robot mount
  - Other mounts available upon request
- ❖ HEPA self-cleaning Pulse-Bac vacuum exhaust for a debris particulate collection
- ❖ Laser Process Control (LPC) for selective layer by layer removal to prevent damage to the base material

## Overall Dimensions:

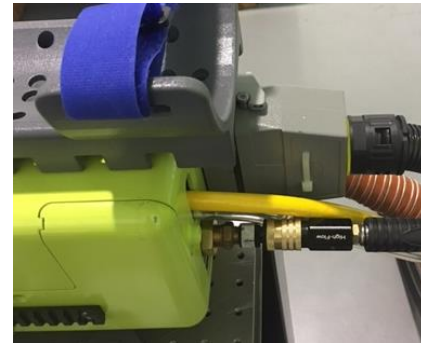
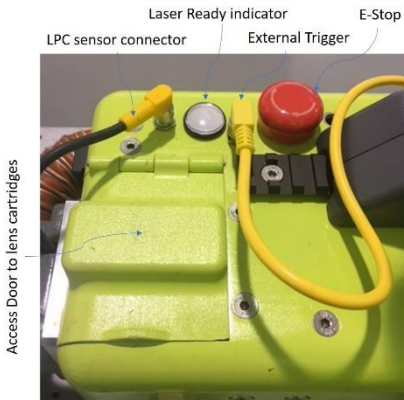


## Special Features and Options:

Conveniently packaged electronics with a variety of safety features

Convenient access to the focusing lens and cover glass

Convenient access to the fiber and quick disconnect of all cables and hoses



Universal mounting rails transform the handheld to over-the shoulder or robot-mounted unit

SurClean's patented Laser Process Control System provides precise layer-by-layer removal

